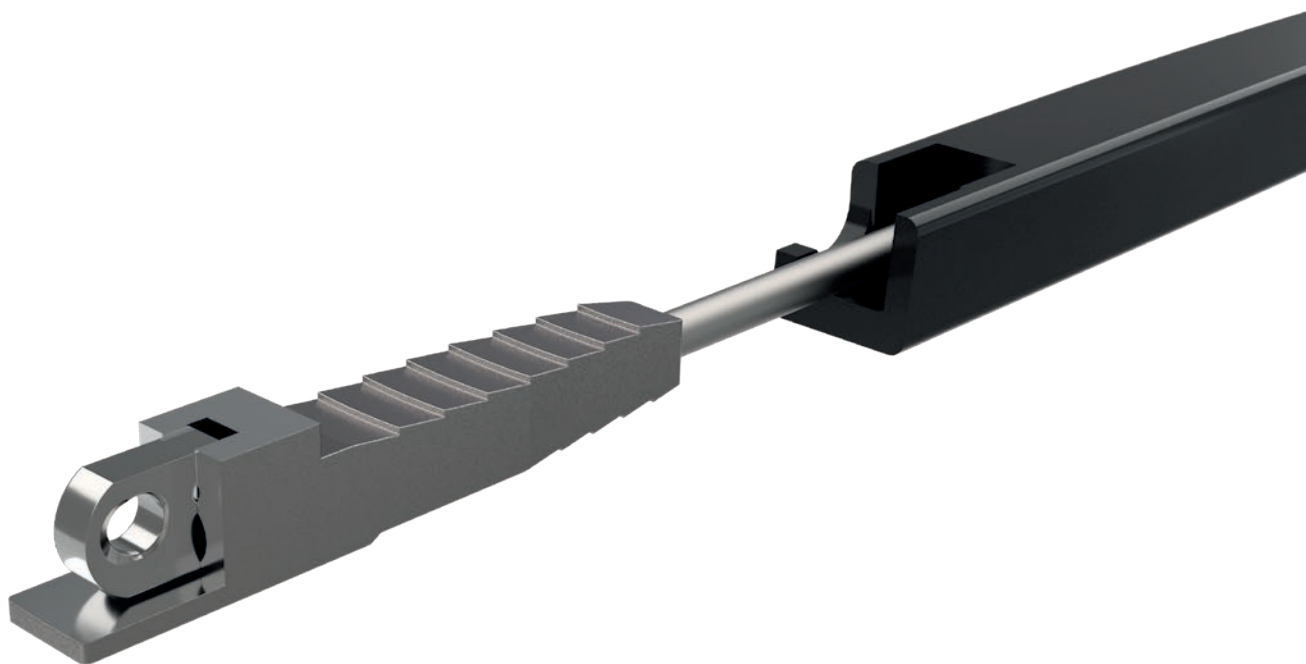


**W F S T Y L E**  
WIRECORE FLEX FOR A CLEAN  
AND ELEGANT FRAME DESIGN



**VISOTTICA**  
GROUP

Visottica Group brings you the WF Style,  
fully integrated monobloc flex wirecore

~  
design and production  
by Visottica Group





V

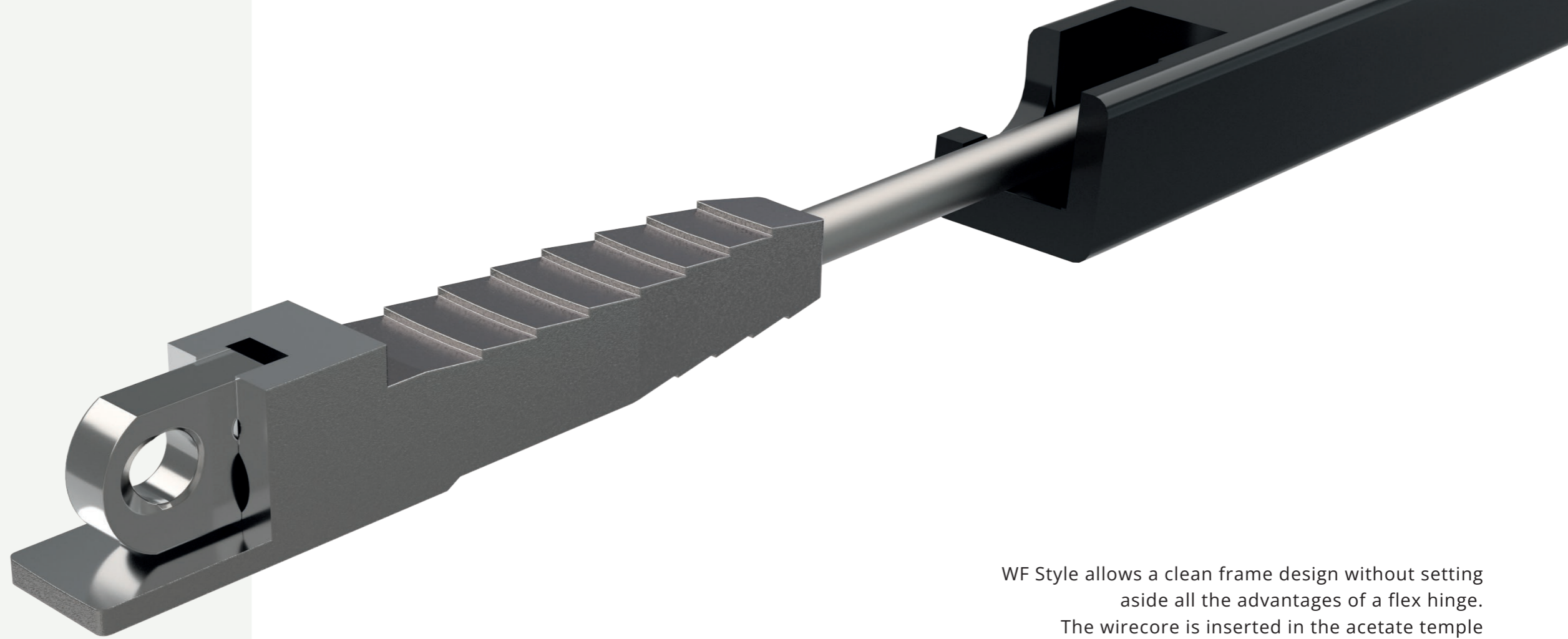
V



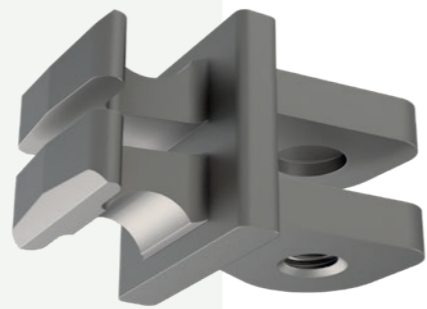
For clean elegant frame design

## FEATURES

Grooved surface for a firmer grip on the temple.  
No additional screws or glue are needed to secure the wirecore.



90° Insert Hinge.



### Special feature:

Patented Self-Alignment & Easy Screw System.  
The screw can also be applied from underneath.



WF Style allows a clean frame design without setting aside all the advantages of a flex hinge.  
The wirecore is inserted in the acetate temple through a standard process of temple core-shooting.

The Self-Alignment & Easy Screwing System facilitates the assembling of the temple and front piece both in production and in the after-sale phase, while also preventing the loss of the screw during the use of the glasses.

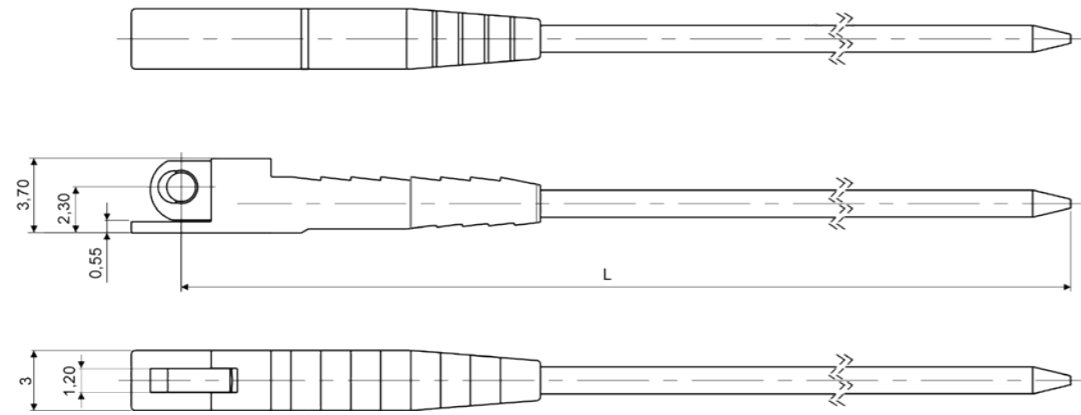
The screw can be applied from underneath staying out of sight, for clean sharp design lines.

The product is supplied in a nickel-silver color. Other galvanic colors are available on request.



## PRODUCT

### WIRECORE

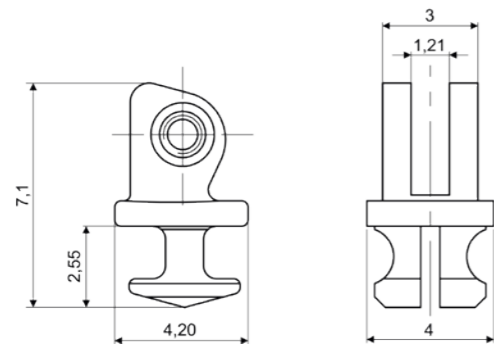


Material: **Nickel silver** - Trolley: **Hard Trolley**

L 130 | 03WFCF104A130SNX  
L 135 | 03WFCF104A235SNX

Soft Trolley available on request.

### HINGE

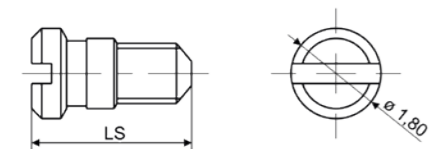


Material: **Nickel silver**

90° INSERT HINGE | 03FRCF012A2BN0

Two assemble options with the insert hinge  
0 degrees: the screw can be applied from  
underneath or from above.

### SCREW M1.20



Material: **Stainless steel**

LS 3.30 | 07VICF011A1BYX

Assembly screw for both insert hinges.

### PERFORMANCES

**Wearing Resistance:** over 30000 cycles  
**Pulling Trolley Resistance:** over 250 N  
**Pulling Wire Resistance:** over 150 N

[sales@visotticagroup.com](mailto:sales@visotticagroup.com)



VISOTTICA  
GROUP

---

# Your partner in solutions for eyewear.

• **Visottica Industrie S.p.a.**

Via Vecchia Trevigiana, 11  
31058 Susegana  
(Treviso), Italy  
Tel +39 0438 6551  
Fax +39 0438 450 855

• **O'Reilly Industrial Ltd.**

Rm 302, Shui Hing Centre,  
13 Sheung Yuet Road,  
Kowloon Bay, Kowloon, Hong Kong  
Tel +852 2796 6010  
Fax +852 2796 4631

• **COMOTEC Optical Products  
(Dongguan) Ltd.**

No.23, Weijian Road,  
Chashan Town, Dongguan City  
Guangdong Prov., China 523380  
Tel +86 769 8233 9955  
Fax +86 769 8233 9977

• **Ookii S.r.l.**

Via Industrie, 3  
32030 Rasai, Seren del Grappa  
(Belluno), Italy  
Tel +39 0439 44708  
Fax +39 0439 448038

• **Matrix S.r.l.**

Via Industrie, 13  
32030 Rasai, Seren del Grappa  
(Belluno), Italy  
Tel +39 0439 448 388  
Fax +39 0439 448 217

• **Eurodecori S.r.l.**

Zona Artigianale, 11  
32038 Quero Vas  
(Belluno), Italy  
Tel +39 0439 787788

• **Ethos S.r.l.**

Via dell'Industria, 7  
31020 San Zenone degli Ezzelini  
(Treviso), Italia  
Tel +39 0423 078257

• **Ideal S.r.l.**

Via A. Redusio, 6/8/10  
32038 Quero Vas  
(Belluno), Italy  
Tel +39 0439 787200

[visotticagroup.com](http://visotticagroup.com)