



Ergofeel[®]

Ergonomic touch,
comfortable feeling

Self Adapting pad and pad-arm system for perfect vision

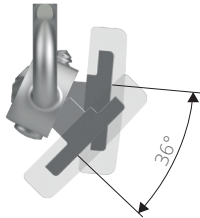
PATENTED

Ergofeel®

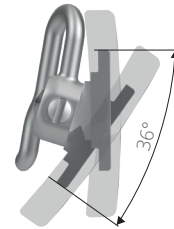
New Pad and Pad-arm System

PRODUCT FEATURES

TRIDIMENTIONAL SELF ADJUSTMENT



Horizontal self adjustment angle around 36°



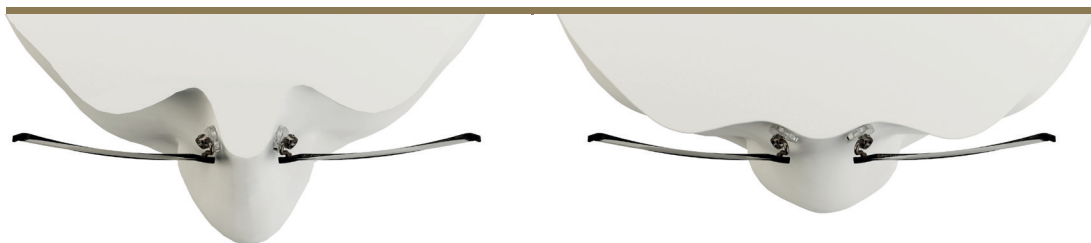
Vertical self adjustment angle around 36°

Allowing a wide mobility, Ergofeel permits the frame to adjust to different nose shapes without need for registration

BENEFITS

- Less adjustments needed
- Adaptability to different facial features
- Better fit for more comfort
- Improved quality of vision

As a consequence, Ergofeel broadens the range of adaptability of frames to different morphologies of faces, making it a perfect product for today's global society



QUALITY AS A PERMANENT CONDITION

- Pads will not become loose if shaken, giving high perception of quality
- The Ergofeel pad can be replaced by a standard pad, temporarily losing the Ergofeel features

PATENTED

Ergofeel®

New Pad and Pad-arm System

PRODUCT SPECIFICATIONS

MATERIAL AND COLOR

Ergofeel® is available in MPM - Medical PVC Material
Cristal Cold Pad with Polycarbonate Insert

PERSONALIZATION



IP
Ink Printing



HS
Hot Stamping



IPHS
Ink Printing
on Hot Stamping



DHS
Double Hot Stamping



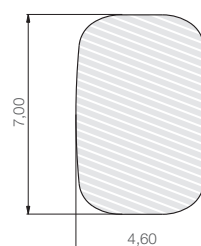
HSE
Hot Stamping Engraving



GPIE
Galvanized Plastic
Insert Engraving
Not Prop.65 Label Free

INSERT AND LOGO

- The personalization is offered on our plastic insert in standard "C SHAPE"
- The logo can be oriented or not oriented



personalization area
of standard insert
"C SHAPE"

PATENTED

Ergofeel® • Nose Pads

MPM - MEDICAL PVC MATERIAL

TEARDROP SHAPE 12mm

Regular Pad
ERGOFEEL® SYSTEM • Self Aligning
 Material: Soft MPM Crystal Cold
 Insert: PC insert "C Shape"

TEARDROP SHAPE 15mm

Regular Pad
ERGOFEEL® SYSTEM • Self Aligning
 Material: Soft MPM Crystal Cold
 Insert: PC insert "C Shape"

OVAL SHAPE 13mm

Regular Pad
ERGOFEEL® SYSTEM • Self Aligning
 Material: Soft MPM Crystal Cold
 Insert: PC insert "C Shape"

RECTANGULAR SHAPE 13mm

Regular Pad
ERGOFEEL® SYSTEM • Self Aligning
 Material: Soft MPM Crystal Cold
 Insert: PC insert "C Shape"

Neutral	
ERGOFEEL® SYSTEM	71NPC1339A1WYX
Personalized	
ERGOFEEL® SYSTEM	C1339
Personalization on "C" insert (see pag.20-21)	IP HS IPHS DHS HSE GPIE
Detailed offer on request	

Neutral	
ERGOFEEL® SYSTEM	71NPC4089A1WYX
Personalized	
ERGOFEEL® SYSTEM	C4089
Personalization on "C" insert (see pag.20-21)	IP HS IPHS DHS HSE GPIE
Detailed offer on request	

Neutral	
ERGOFEEL® SYSTEM	71NPC7024A1WYX
Personalized	
ERGOFEEL® SYSTEM	C7024
Personalization on "C" insert (see pag.20-21)	IP HS IPHS DHS HSE GPIE
Detailed offer on request	

Neutral	
ERGOFEEL® SYSTEM	71NPC1338A1WYX
Personalized	
ERGOFEEL® SYSTEM	C1338
Personalization on "C" insert (see pag.20-21)	IP HS IPHS DHS HSE GPIE
Detailed offer on request	

PATENTED

Ergofeel® • Nose Pads

MPM - MEDICAL PVC MATERIAL

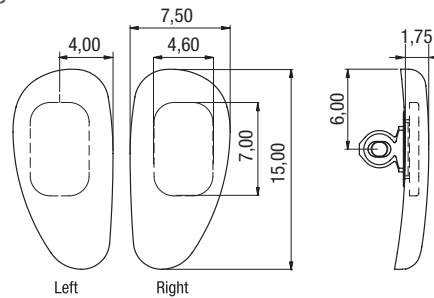
"D" SHAPE

15mm

Regular Pad

ERGOFEEL® SYSTEM • Self Aligning

Material: Soft **MPM** Crystal Cold
Insert: PC insert "C Shape"



Neutral

ERGOFEEL® SYSTEM 71NPC1337A1WY0

Personalized

ERGOFEEL® SYSTEM C1337

Personalization on "C" insert
(see pag.20-21)

IP
HS
IPHS
DHS
HSE
GPIE

Detailed offer on request

MEM® - MEDICAL ECOFRIENDLY MATERIAL

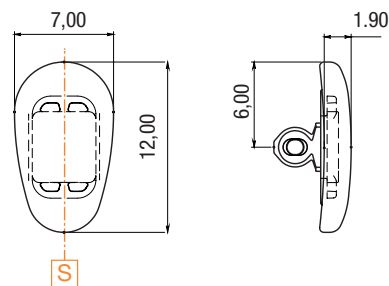
TEARDROP SHAPE

12mm

Regular Pad

ERGOFEEL® SYSTEM • Self Aligning

Material: Soft **MEM** Crystal Warm
Insert: PC insert "W Shape"



Neutral

ERGOFEEL® SYSTEM 81NPCB890A1WYX

Personalized

ERGOFEEL® SYSTEM CB890

Personalization on "W" insert
(see pag.20-21)

IP Positive
HS Positive
HSE Relief
GPIE Screw

Detailed offer on request

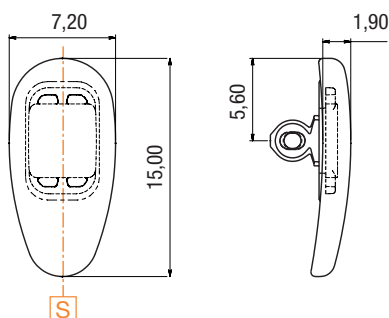
TEARDROP SHAPE

15mm

Regular Pad

ERGOFEEL® SYSTEM • Self Aligning

Material: Soft **MEM** Crystal Warm
Insert: PC insert "W Shape"



Neutral

ERGOFEEL® SYSTEM 81NPCB888A1WYX

Personalized

ERGOFEEL® SYSTEM CB888

Personalization on "W" insert
(see pag.20-21)

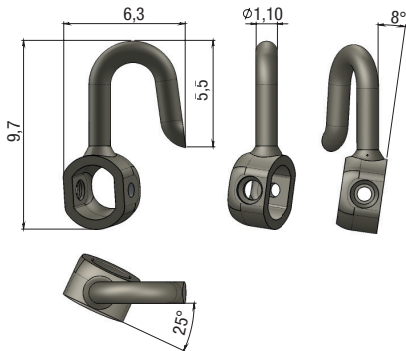
IP Positive
HS Positive
HSE Relief
GPIE Screw

Detailed offer on request

PATENTED

Ergofeel® • Pad-Arms

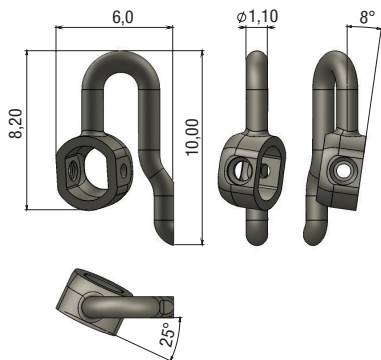
NICKEL SILVER 18% Ni MATERIAL



PAD ARM

ERGOFEEL® SYSTEM	03PDC4463A1BY0
-------------------------	-----------------------

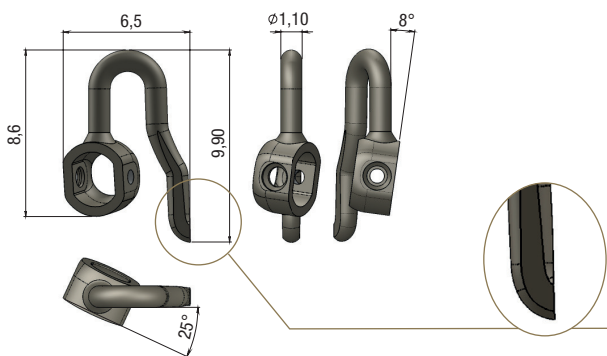
Stem code: OA7428
Stem shape: 207
Stem \varnothing 1.10
Stem alloy Nickel Silver 18% Ni · CuNi18Zn20
ERGOFEEL® BOX
ERGOFEEL® box alloy Nickel Silver 18% Ni · CuNi18Zn20
Slanted ERGOFEEL® box 25°*8°



PAD ARM

ERGOFEEL® SYSTEM	03PDB1268A1BY0
-------------------------	-----------------------

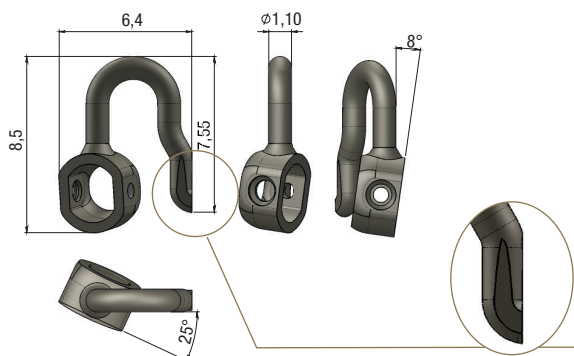
Stem code: OA7578
Stem shape: 214
Stem \varnothing 1.10
Stem alloy Nickel Silver 18% Ni · CuNi18Zn20
ERGOFEEL® BOX
ERGOFEEL® box alloy Nickel Silver 18% Ni · CuNi18Zn20
Slanted ERGOFEEL® box 25°*8°



PAD ARM

ERGOFEEL® SYSTEM	03PDC4462A1BY0
-------------------------	-----------------------

Stem code: ROA0121
Stem shape: 214
Stem \varnothing 1.10
Stem alloy Nickel Silver 18% Ni · CuNi18Zn20
ERGOFEEL® BOX
ERGOFEEL® box alloy Nickel Silver 18% Ni · CuNi18Zn20
Slanted ERGOFEEL® box 25°*8°
STAMPED STEM 0.9 mm AT THE END



PAD ARM

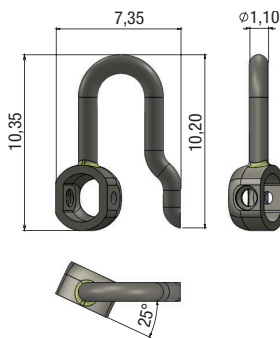
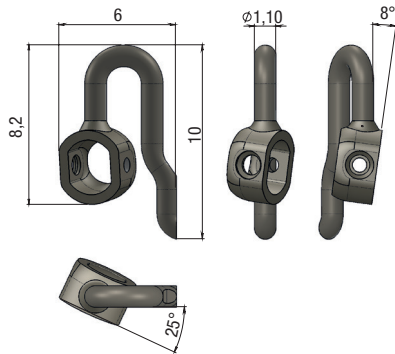
ERGOFEEL® SYSTEM	03PDC4461A1BY0
-------------------------	-----------------------

Stem code: ROA0011
Stem shape: 214
Stem \varnothing 1.10
Stem alloy Nickel Silver 18% Ni · CuNi18Zn20
ERGOFEEL® BOX
ERGOFEEL® box alloy Nickel Silver 18% Ni · CuNi18Zn20
Slanted ERGOFEEL® box 25°*8°
STAMPED STEM 0.9 mm AT THE END

PATENTED

Ergofeel® • Pad-Arms

NICKEL SILVER 32% Ni MATERIAL



PAD ARM

ERGOFEEL® SYSTEM	03PDC4464A1BY0
------------------	----------------

Stem code: OA7034
 Stem shape: 214
 Stem Ø 1.10
 Stem alloy Nickel Silver 32% Ni · CuNi32Zn9

ERGOFEEL® BOX

ERGOFEEL® box alloy Nickel Silver 18% Ni · CuNi18Zn20
 Slanted ERGOFEEL® box 25°*8°

PAD ARM

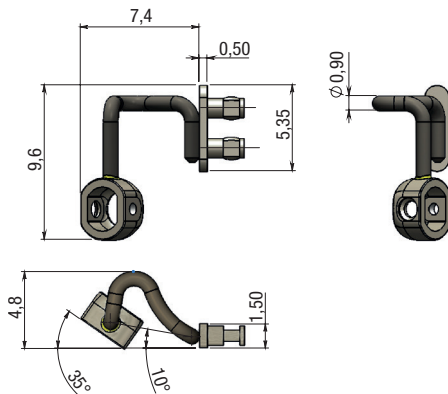
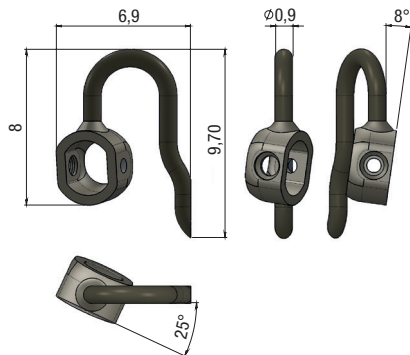
ERGOFEEL® SYSTEM	03PDC1406A1BY0
------------------	----------------

Stem code: OA7072
 Stem shape: 214
 Stem Ø 1.10
 Stem alloy Nickel Silver 32% Ni · CuNi32Zn9

ERGOFEEL® BOX

ERGOFEEL® box alloy Nickel Silver 18% Ni · CuNi18Zn20
 Slanted ERGOFEEL® box 25°

MONEL MATERIAL



PAD ARM

ERGOFEEL® SYSTEM	18PDC4465A1BY0
------------------	----------------

Stem code: OA7570
 Stem shape: 214
 Stem Ø 0.9
 Stem alloy Monel · NiCu30Fe

ERGOFEEL® BOX

ERGOFEEL® box alloy Nickel Silver 18% Ni · CuNi18Zn20
 Slanted ERGOFEEL® box 25°*8°

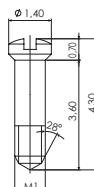
PAD ARM

ERGOFEEL® SYSTEM	18PDB1270A1BY0
------------------	----------------

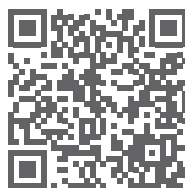
Stem code: 18SEB1269A1BY0
 Stem shape: 310
 Stem Ø 0.9
 Stem alloy Monel · NiCu30Fe

ERGOFEEL® BOX

ERGOFEEL® box alloy Nickel Silver 18% Ni · CuNi18Zn20
 Slanted ERGOFEEL® box 35°
 FOR PLASTIC FRAMES
 3D shape



ERGOFEEL® SCREW: 07VIA0994A1BYX
 Material: Stainless Steel



Watch the ERGOFEEL video

Visottica Industrie S.p.a.

Via Vecchia Trevigiana, 11
31058 Susegana
(Treviso), Italy
Tel +39 0438 6551
Fax +39 0438 450 855
sales@visotticacomotec.com

O'Reilly Industrial Ltd.

Rm 302, Shui Hing Centre,
13 Sheung Yuet Road,
Kowloon Bay, Kowloon, Hong Kong
Tel +852 2796 6010
Fax +852 2796 4631
sales@visotticacomotec.hk

COMOTEC Optical Products (Dongguan) Ltd.

No. 23, Weijian Road,
ChaShan Town, Dongguan City
Guangdong Province, China 523380
Tel +86 769 8233 9955
Fax +86 769 8233 9977
sales@visotticacomotec.hk