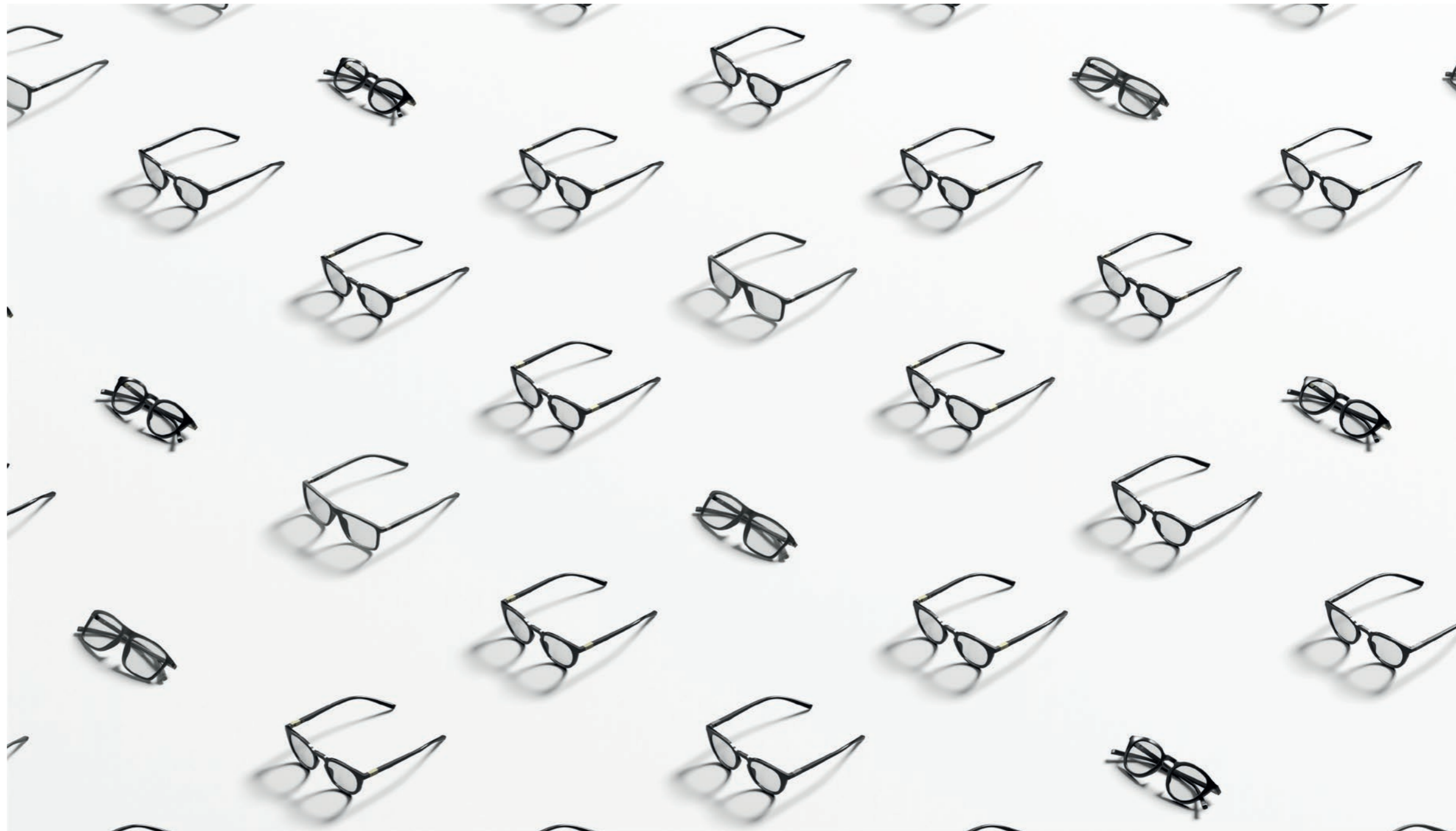


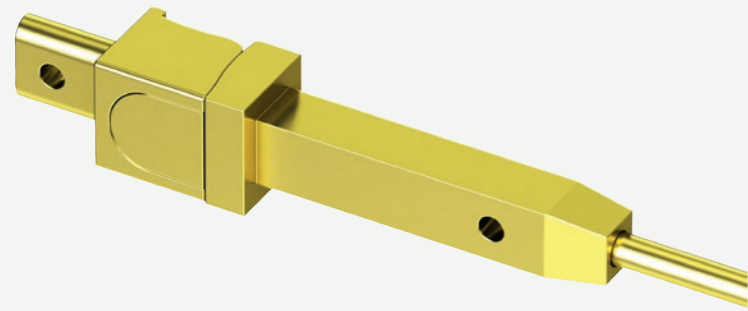
2D HINGE | SPECIAL SPRING HINGE
TWO-DIMENSIONAL MOVEMENT IN A UNIQUE SOLUTION



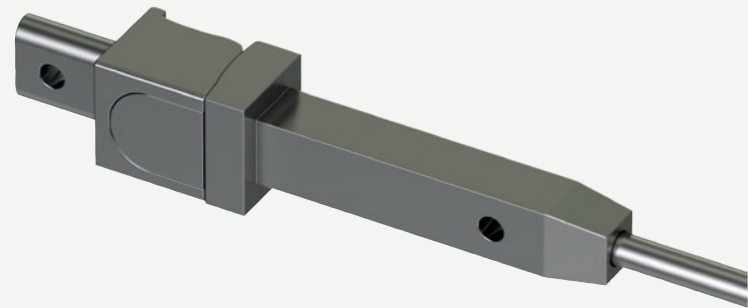
VISOTTICA
GROUP

lifestyle inspired
~
design and production
by Visottica Comotec

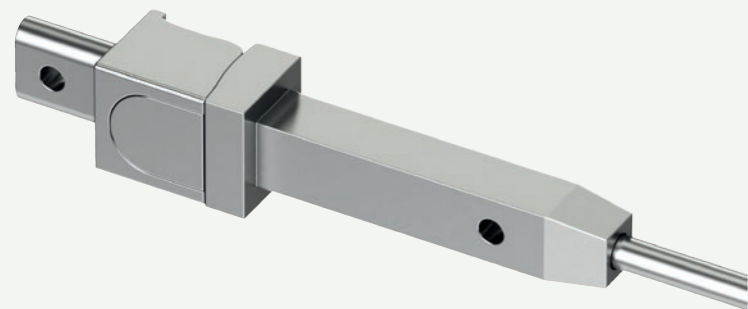




JAPANESE GOLD PLATED



RUTHENIUM PLATED



NICKEL PLATED



AVAILABLE IN 3 DIFFERENT
COATING COLOURS




STANDARD HINGE



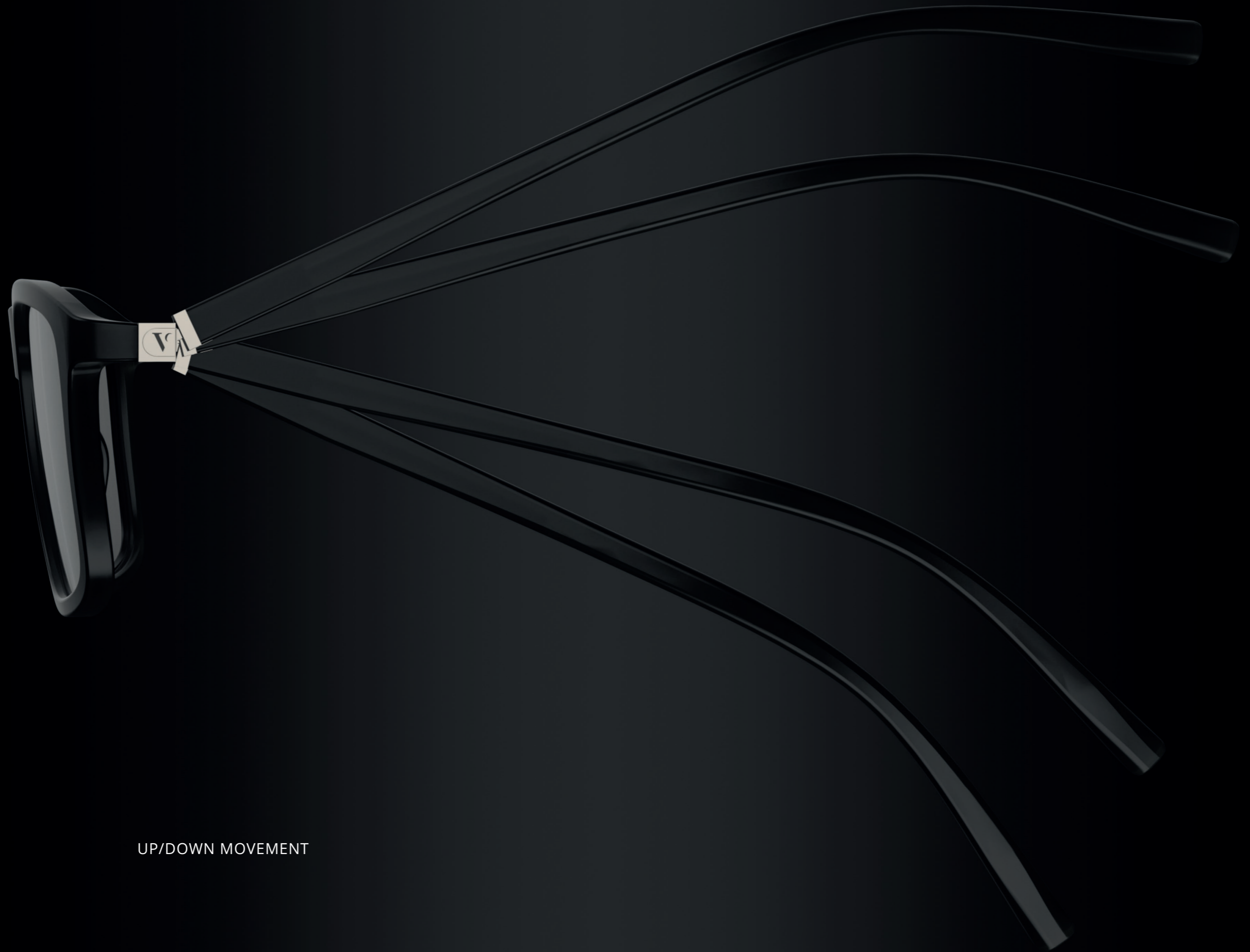
CUSTOMIZED HINGE
WITH LOGO AND TEXTURE





TWO-DIMENSIONAL
M O V E M E N T
I N A U N I Q U E
S O L U T I O N





UP/DOWN MOVEMENT





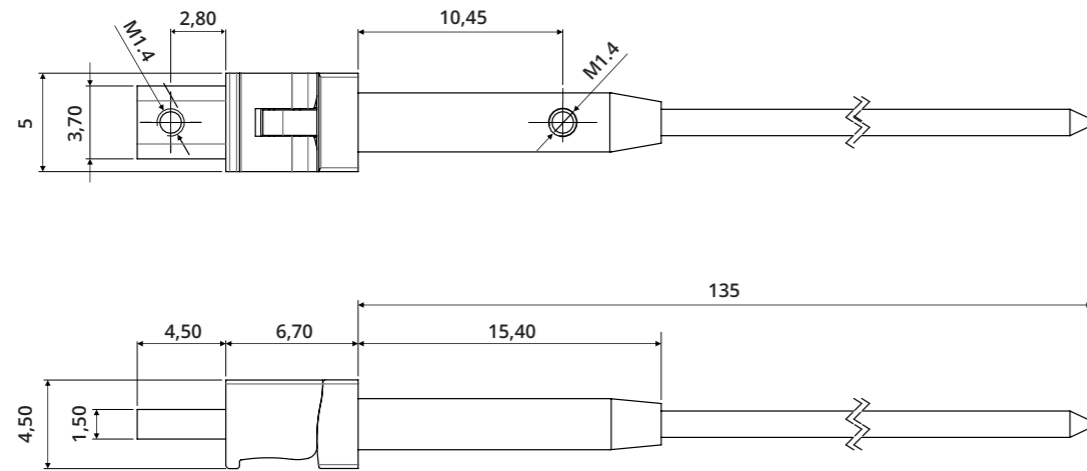
EXTRA OPENING



PRODUCT



COVERED BY
INTERNATIONAL
PATENT



ASSEMBLED WIRECORE	Material: Nickel silver
NICKEL PLATED	03TFC9485A135BNX
JAPANESE GOLD PLATED	03TFC9485A335BDX
RUTHENIUM PLATED	03TFC9485A435BUX

TIP: LUBRICATE THE HINGE FOR A BETTER SMOOTH MOVEMENT

sales@visotticagroup.com

FEATURES

- TWO-DIMENSIONAL MOVEMENT
- PRE-ASSEMBLED COMPONENT
- EASY TO ASSEMBLE TO THE FRAME
- COATING (MONOCOLOR): NICKEL, JAPANESE GOLD, RUTHENIUM

PERFORMANCE

- WEAR RESISTANCE (MECHANISM): 30.000 OPEN/CLOSE CYCLES, 30.000 UP/DOWN CYCLES
- PULLING RESISTANCE (MECHANISM): OVER 250N
- NO ROCKING: BY SELF-ALIGNMENT SYSTEM

MEDIA

- EXPERIENCE THE 2D HINGE VIDEO



- DIGITAL BROCHURE





VISOTTICA
GROUP

Your partner in solutions for eyewear.

• **Visottica Industrie S.p.a.**

Via Vecchia Trevigiana, 11
31058 Susegana
(Treviso), Italy
Tel +39 0438 6551
Fax +39 0438 450 855

• **O'Reilly Industrial Ltd.**

Rm 302, Shui Hing Centre,
13 Sheung Yuet Road,
Kowloon Bay, Kowloon, Hong Kong
Tel +852 2796 6010
Fax +852 2796 4631

• **COMOTEC Optical Products
(Dongguan) Ltd.**

No.23, Weijian Road,
Chashan Town, Dongguan City
Guangdong Prov., China 523380
Tel +86 769 8233 9955
Fax +86 769 8233 9977

• **Ookii S.r.l.**

Via Industrie, 3
32030 Rasai, Seren del Grappa
(Belluno), Italy
Tel +39 0439 44708
Fax +39 0439 448038

• **Matrix S.r.l.**

Via Industrie, 13
32030 Rasai, Seren del Grappa
(Belluno), Italy
Tel +39 0439 448 388
Fax +39 0439 448 217

• **Eurodecori S.r.l.**

Zona Artigianale, 11
32038 Quero Vas
(Belluno), Italy
Tel +39 0439 787788

• **Ethos S.r.l.**

Via dell'Industria, 7
31020 San Zenone degli Ezzelini
(Treviso), Italia
Tel +39 0423 078257

• **Ideal S.r.l.**

Via A. Redusio, 6/8/10
32038 Quero Vas
(Belluno), Italy
Tel +39 0439 787200

visotticagroup.com